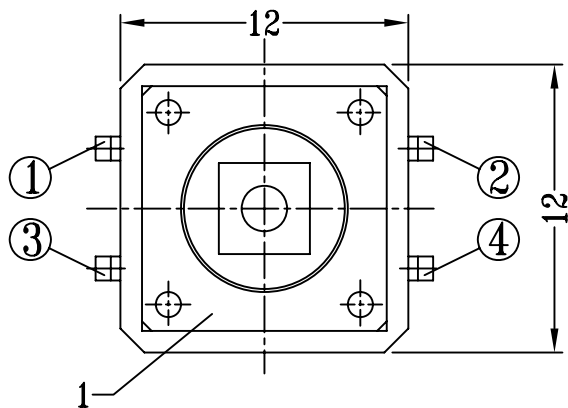
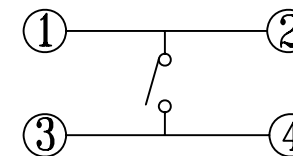


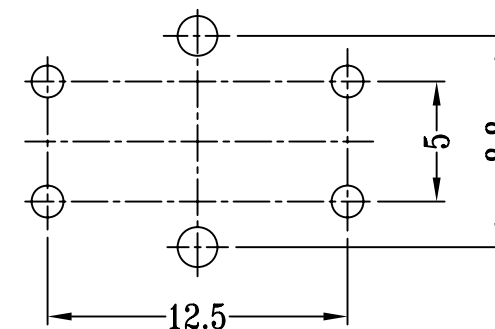
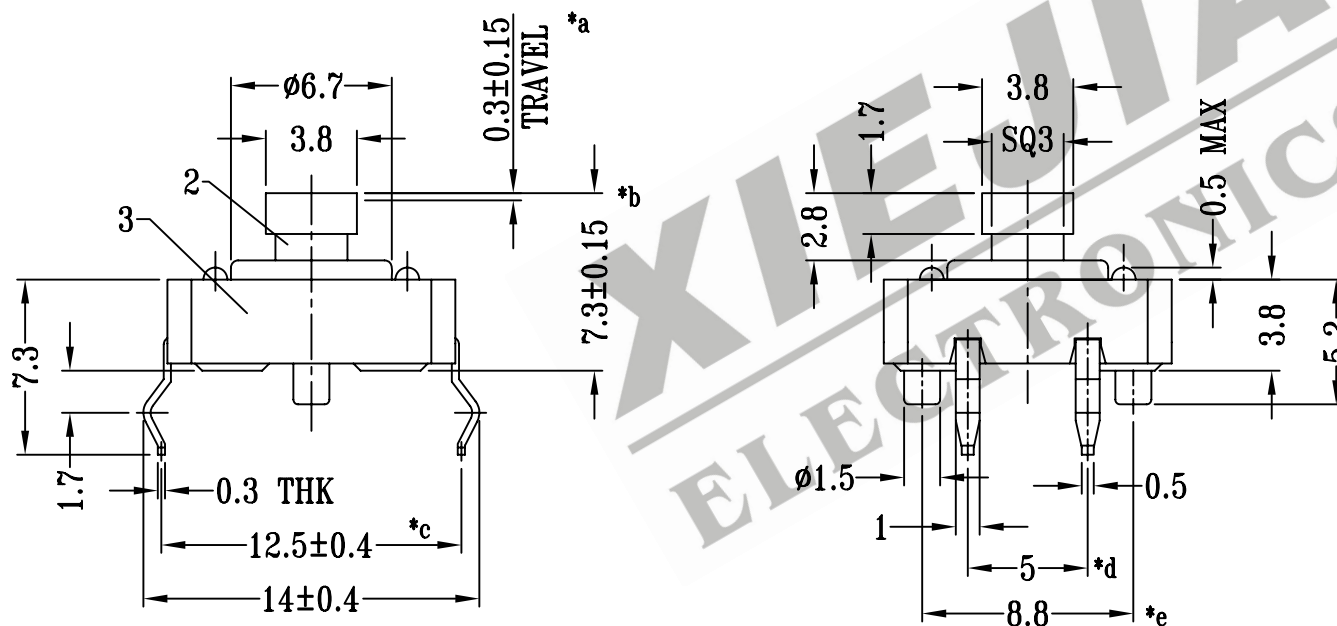
CAD FILE:



OPERATING FORCE	CODE
160 gf	X
250 gf	Z



SCHEMATIC



P.C.B LAYOUT

注:带"*"表示关键尺寸(5个)

NO.	PARTS	MATERIALS	Q'TY	FINISH	TOLERANCE UNLESS SPECIFIED	SHENZHEN XIEJIA ELECTRONICS CO.,LTD.				
8					WITHIN: 1.5±0.1mm OVER : 1.5±0.2mm	ISSUE	DATE	DESCRIPTIONS OF REVISION		APPD.
7										
6										
5										
4	COVER	PET	1	CLEAR	TITLE : TACT SWITCH	UNIT : mm	DRWG NO.: XJ-DR-TC12ET-00			
3	KNOB	POM	1	BLACK/BLUE						
2	CONTACT	PBS	1	Ag CLAD	MODEL: TC-12ET	SCALE: 3:1	DWN.	ZHOUYU	2006-5-17	
1	CASE	NYLON/BRASS STRIP	1	BLACK/Ag PLATED			CHK'D	FANGYING	2006-5-17	
					ALL MATERIALS MUST BE COMPLIANT TO ROHS	APPD.	KANGXINAN	2006-5-17		